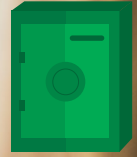


DynaCash™



✉ sales@addontechologies.com

☎ 1-704-882-2227

🌐 addontechologies.com



CC-5000 Terminal

▼
DynaCash™

Technology to Streamline Cash Operations

DynaCash interfaces Cash Dispensers and Recyclers with almost any financial core application without costly integration development or modifications. Generally, DynaCash can be installed and configured in less than 2 hours with training being finalized before the end of the workday.

The CC-5000 terminal handles all communication with the cash equipment, and the DynaCash interfacing software provides the connectivity link to the Teller application. It utilizes a proprietary codebase enabling an unparalleled level of security to your cash transaction.

Tellers use a simple "Hotkey" scheme to dispense or deposit cash easily, accurately, and efficiently.

DynaCash Includes:

- DynaCash Software, free DyanLog Server and DynaLog Viewer Electronic Journaling Package, and Operations Manual via USB thumb drive
- CC-5000 Terminal
- Power Supply
- 15" USB Cable (2)
- Journal Printer Cable
- Standard Patch Cord
- Coin Dispenser Cable



How it Works

- Primarily tellers work at their PC and use “hotkeys” to execute transactions while secondary tellers use the CC-5000 terminal to do Buy/Sell transactions.
- Cash denominations and amounts are automatically entered into the teller application screens.
- The CC-5000 Terminal serves management functions without interrupting tellers.
- The DynaCash interface is compatible with traditional IT environments as well as thin client/remote server networks.
- The interface software has multiple security levels to control access.
- The Recycler activity and manager actions are recorded to the Electronic Journal, the Journal Printer, or both.

Security

Password protected logons and 3 security levels to authenticate users. *Optional Duress Dispense.*

Convenience

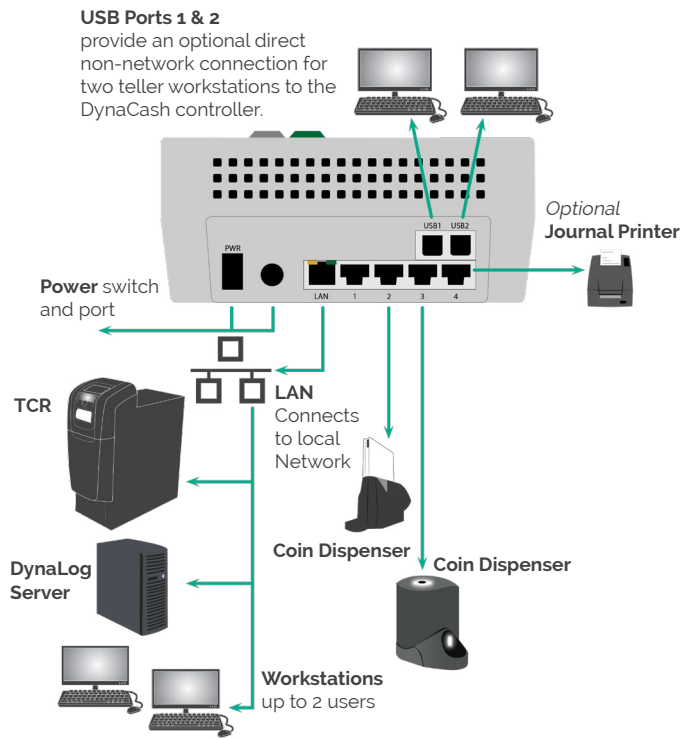
The CC-5000 terminal acts as a Central Station for Vault Buys and Sells – the online tellers don't get interrupted by Vault activity.

Simplicity

Easy usage makes DynaCash practically transparent to the end user. Tellers can focus on their customer, not on how to get or give or count cash.

Easy Auditing

The audit trail is easy to follow and provides exactly what tellers need to balance. An Electronic Journal option allows for transaction history storage on a secure server.



DynaCash™ Schematic

Proven Solution

Among our very satisfied end users are Banks, Credit Unions, Casinos, and Department Stores.

Freedom

Your teller platform doesn't have to dictate which equipment can be attached. DynaCash works with practically any teller app and supports most of the popular cash dispensers and recyclers.

Reliable

Add-On Technologies has been providing robust interface solutions for the financial industry since 1994. Our “no complexity” approach to installation and easy usage means your machinery is brought online in record time and with minimum teller training required.

Technical Support

Our deep background in Cash Automation means we find the right answers fast. We stand behind our products and we provide industry-acclaimed tech support.

Contact Us!

✉ sales@addontechnologies.com

☎ 1-704-882-2227

🌐 addontechnologies.com

